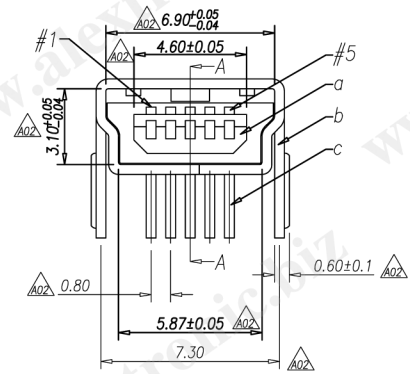


CATEGORY	DESCRIPTION	P/N #
CONNECTOR	Mini USB, 5PIN, Female, R/A, T/H	UB3051-11FX0-001L

料號由2UBMBR-XXXX-XX
變更為UB3051-11FX0-001L

REV.	ECN NO	DESCRIPTION	REVISED	DATE
A1	20041109a		Frank Ai	2004.11.09
A02	ECN090914001	整理圖面,變更料號	Luguan	2009.09.14



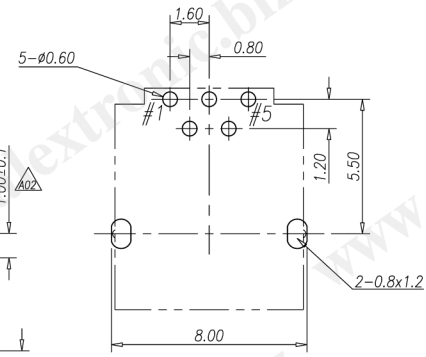
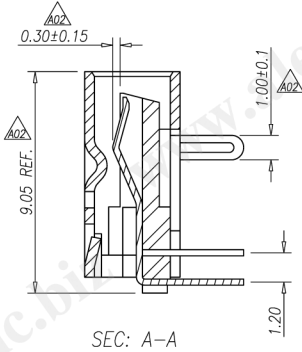
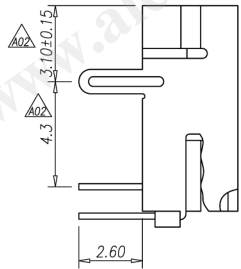
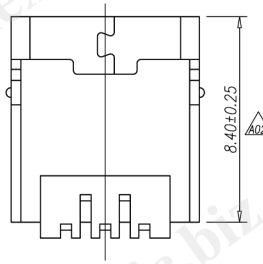
UB3051-11FX0-001L

Material & Plating

Table 1

X	Terminal Plating
0	Gold Flash Plating
1	Au 3u" Plating
2	Au 6u" Plating
3	Au 10u" Plating
4	Au 15u" Plating
5	Au 30u" Plating

- SPECIFICATIONS:
- VOLTAGE&CURRENT RATING: AC 5V&1A.
 - DIELECTRIC WITHSTANDING VOLTAGE:AC 100V FOR 1 MINUTE.
 - INSULATION RESISTANCE: 100 MΩ MIN. AT DC 500V.
 - CONTACT RESISTANCE: 50 mΩ MAX.
 - CONTACT INSERTION FORCE:35N MAX.
 - CONTACT WITHDRAWAL FORCE:3N MIN.
 - TEMPERATURE: -20°C TO +85°C.



Recommend PCB Layout
(Jack Top View)
Tolerance: ±0.05mm
Recommend PCB Thickness: 1.6mm

NO.	PART NAME	Q'TY	MATERIAL	PLATING & COLOR	Remark
c	Contact	5	Phosphor Bronze, T=0.25mm	See Table 1	
b	Shell	1	Brass, T=0.4mm	Ni Plating	
a	Housing	1	LCP UL94V-0	Black	

UNLESS OTHERWISE SPECIFIED TOLERANCES

SCALE:1/1 UNIT: mm DWG:NO: WI-061-692

SIZE: A3 PAGE:1 OF 1 REV:A02

APPROVED BY: WYX CHECKED BY: Pengjie PREPARED BY: Luguan

CUSTOMER COPY

Product Drawing
ALEXTRONIC